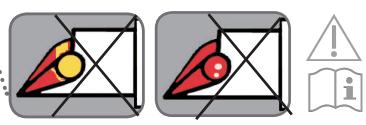
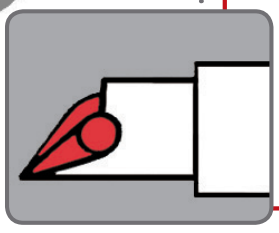
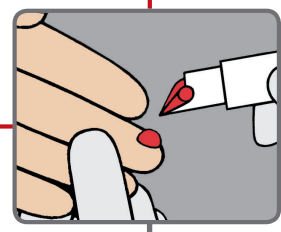
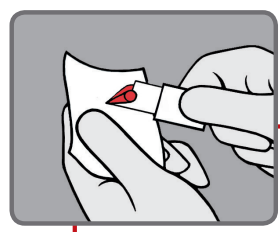
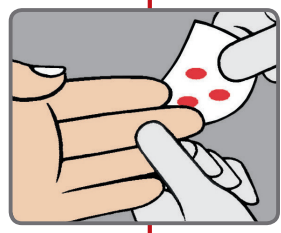
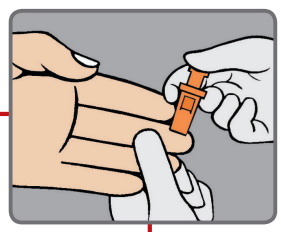
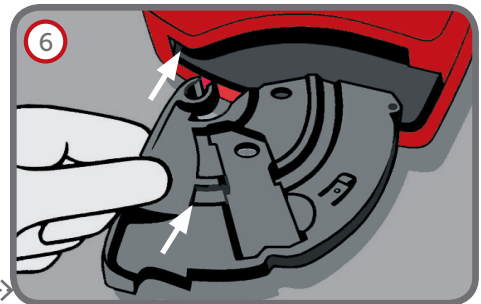
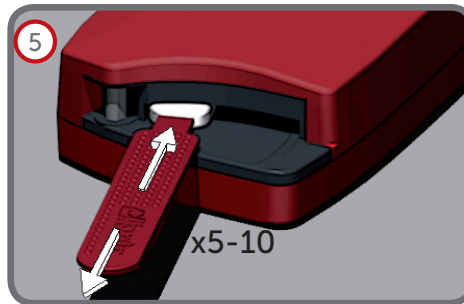
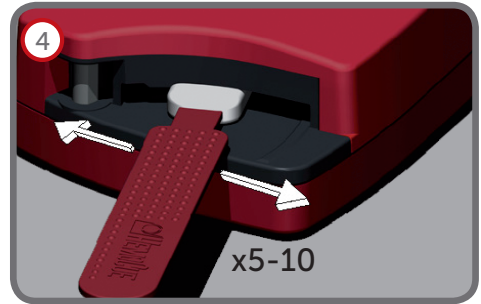
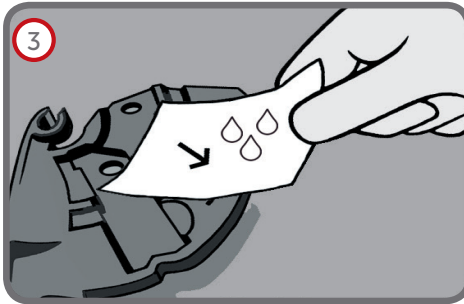
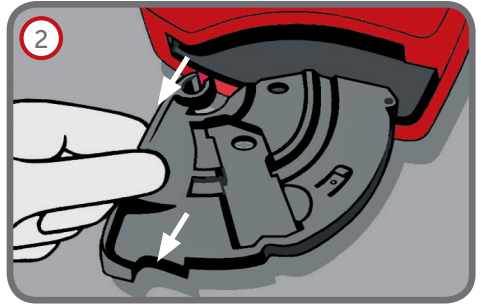


HemoCue[®]

Hb 201⁺

Hb 201 DM





 15 min



2(2)

Manufacturer

HemoCue AB
Kuvettgatan 1
SE-262 71 Ängelholm
Sweden
info@hemocue.se
hemocue.com

Phone +46 77 570 02 10
Fax +46 77 570 02 12

HemoCue Distributor USA

HemoCue America
250 South Kraemer Boulevard
Brea, CA, 92821
USA
hemocue.com

Phone 800.881.1611
Orders 800.323.1674
Tech. Support 800.426.7256
Fax (Cust. Srv.) 800.333.7043



909048 140313